

*The all new
Contriva G2*





The all new successor of the worldwide praised TIDAL Contriva Diacera SE (2007-2014). We developed it all in one in two years and changed/improved every little detail to even more perfection. Like with all iconic design classics **improving** it does not mean **changing** its essence. It means making proportions for its purpose even better while strictly continuing and following the generic and unique design of it.

So we made the new TIDAL Contriva G2 45mm less tall, 5mm less wide and we gave it 3° degree more slope to give it a more dynamic and elegant look while improving also the sonic dispersion of it. See at the right side: the grey outline is Contriva I and the black outline the new Contriva G2.



The cabinet is made out of **TIRADUR**, TIDAL's proprietary cabinet multilayer material, new designed for this model. This is also why the new Contriva G2 while smaller in dimensions is now 102 Kg / 225 lbs.

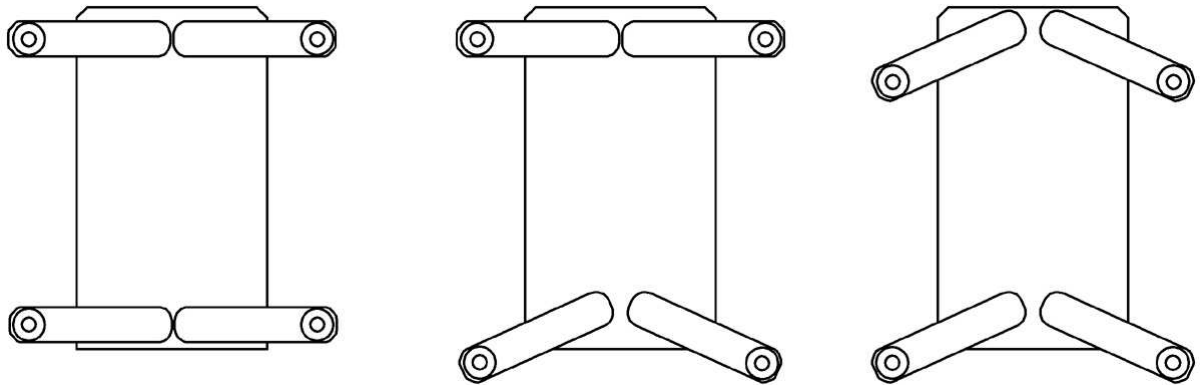


The new Contriva G2 uses all new BCC-drivers (black coated ceramic) in long excursion design, a unique cooperation between TIDAL and Accuton and to find only in this speaker exclusively. All these drivers are designed for lowest possible distortions and perfect signal reproduction. As tweeter we use the very same 30 mm pure diamond tweeter as from our mighty Agoria and Sunray G2

The passive crossover was designed in a typical TIDAL way and combines the all 4 drivers to an unique step response and perfectly linear frequency response. First time ever we use the tremendous knowledge from our amplifier design and designed for the Contriva G2 a massive multilayer PCB-board with pure gold conductors for the very best sound and lowest tolerances. Every part was considered as the best, designed into perfect position to avoid any interference to each other. The Contriva uses a “double-floor” board design where we adjust every ceramic driver with a computer based QC measurement program to adjust it like a complex clockwork to perfection for every piece.



The TIDAL Contriva G2 also comes with 8 new designed Variofeet. One can adjust them in parallel and/or sloped backwards to ones best liking. These are out of massive aluminum and in size and dimensions perfectly designed to offer the best sound and massive stand for the Contriva G2.



Another highlight is the all new terminal. It is out of a massive 10 mm high density aluminum with a handmade brushed and anodized structure. As binding posts we use all complete in-house made binding posts with a pure silver conductor around a core of antimagnetic fiberglass-polymer core for zero current fluctuations, the knob itself is out of



aluminum covering a Delrin core for perfect isolation and regulating pressure to tighten the best speaker cables to the Contriva G2. Another highlight is that the Contriva G2 can be connected classical plug & play all single wiring, or passive bi-amping / bi-wiring or even in active bi-amping mode. The tweeter curve can be adopted to rooms with soft or hard reflections.

As always each TIDAL contains way deeper inside qualities, details and the maybe most extensive handmade procedure on the market to build such a pair and we could go one for hours and writing and showing these, but this would simply destruct from the core of it: the TIDAL Contriva G2 is an absolute natural and realistic sounding tool to remove the layers from your music. Designed to enjoy the artist's work of art.

[TIDAL][®]
we build emotions.





TIDAL Contriva G2 in Ebony Macassar transparent piano finish

TIDAL Contriva G2 specifications:

- multi chamber cabinet made out of TIDAL's proprietary cabinet material TIRADUR, double-wall 60mm TIRADUR-frontplate
- 2 x 222 mm (9") long excursion BCC woofer
- 1 x 173 mm (7") BCC midrange woofer with SCLG underhung neodymium motor
- 1 x 30 mm (1,2") underhung neodymium motor diamond tweeter
- unique AEROTUNE-System, 2-times adjustable, makes it very flexible and uncritical in room placement
- passive crossover network with ultra low tolerance components, microphonically and hermetically isolated x-over boards in separated chambers, unique multilayer board
- adjustable diamond-tweeter curve (hard room-reflections / soft room-reflections)
- extremely linear frequency response, excellent step response, optimized phase and group delay
- pure silver binding posts for perfect contact, isolated massive aluminum knobs on fiberglass isolation core, adjustable bi-wiring / passive bi-amping / active bi-amping double-terminal
- serial accessories: 2 professional ATA-flightcases, microfibre-cleaning cloth, owners manual, 2 x 2 plain stand-bars, 2 complete sets special 5-part TIDAL stainless steel isolators
- optional: 8 x variofeet, handpolished and protection coated, big isolators, the position of the variofeet can be mounted in parallel or sloped back, both on the frontside and/or backside
- serial cabinet finish: graphite, acrylic lacquer (not in all countries available)
- optional: high gloss polished piano lacquer: midnight black
- optional: veneer, high gloss polished woods in piano lacquer
- other wishes are possible
- nominal power input: 200 / 400 VA
- nominal impedance: 4-5 Ohm
- recommended amp input: We recommend quality instead quantity. Real 20 Watt at 8 Ohm are ok for normal listening levels. It is most easy to drive and plays even at lowest levels "full and rich". To use the whole enormous dynamic range of it and listening complex music also from time to time very loud we recommend > 150 watts at 8 ohm.
- speaker dimensions: 126 cm x 27 cm x 48 cm
- dimensions with variofeet: 136 cm tall
- speaker weight: 2 x 102 Kg
- shipping weight (flightcase with speaker inside): 2 x 134 Kg
- shipping dimensions: 2 flightcases, 2 x 148 cm x 39 cm x 61 cm



TIDAL Contriva G2 in Pyramided Mahogany transparent piano finish